



Thornberry Large Patient Hip Positioner

Designed by Robert L. Thornberry, MD

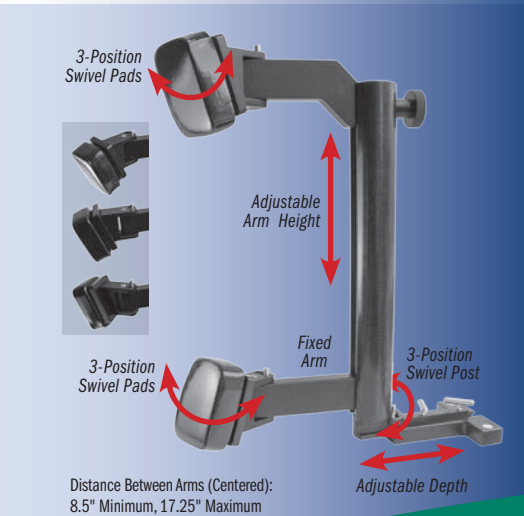
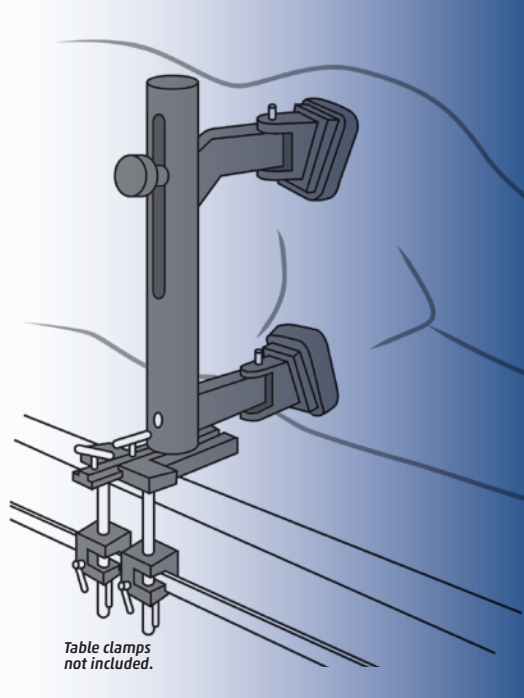
Designed to be adjustable yet sturdy when stabilizing a large patient for hip surgery

The Thornberry Large Patient Hip Positioner is used for stable positioning of a large patient during total hip and revision surgery. It is designed to attach directly to the operating table utilizing existing table clamps, or the Innomed #2595 Table Clamps which are not included.

The upper arm assembly can be adjusted for height. Both arms include a push-button to allow the pad platform to swivel and lock into any of three fixed positions. The tall 18" post also includes a push-button to allow the post/arms unit to swivel and lock into any of three fixed positions.

The complete unit is autoclavable except for the foam pads. The pads are made of semi-dense foam to help prevent pressure points and are sealed with a washable coating. The coating also helps to lessen the possibility of skin breakdown.

It may be necessary to place the Double Table Attachment(s) 180°—sticking out from the table—to accommodate the large patient, as shown at left.



PRODUCT NO'S:	
4160-00	[Complete Set]
Items Included in Set:	
4160-07	[7" Back Support Post]
4160-18	[18" Post with Fixed Lower Arm]
4160-AA	[Adjustable Upper Arm]
4160-DTA	[Double Table Attachment] Two (2) included with set; One (1) only with this number
4160-PB	[Post Knob] Two (2) included with set; One (1) only with this number
4150-P	[Pad Plate for Back Support]
4150-PD3	[Set of Three (3) Pads]
4150-S	[Back Support Slider]
Optional Items:	
2595	[Table Clamp] One (1) only with this number

Positioner consists of:

Front Support Unit

One 18" post assembly with a lower arm and swiveling pad platform, one upper arm assembly with a swiveling pad platform, one post knob, two pads, and one double table attachment.

Back Support Unit

One 7" post assembly, one post knob, one pad plate, one pad, one slider, and one double table attachment.



ISO 9001:2008 • ISO 13485:2003

FREE TRIAL ON MOST INSTRUMENTS

Scan to Launch Our Website



103 Estus Drive, Savannah, GA 31404
www.innomed.net info@innomed.net

912.236.0000 Phone
912.236.7766 Fax

Innomed-Europe Tel. +41 41 740 67 74
Fax +41 41 740 67 71

1.800.548.2362